



gala

ELECTRONICS





| | |
|------------------------------|---|
| Functions and features | 2 |
| Specifications | 3 |
| Descriptions | 3 |
| Installation | 4 |
| Installation method | 5 |
| Operation | 7 |
| Maintenance | 8 |
| Troubleshooting | 9 |



FUNCTIONS AND FEATURES

AUTOMATIC FLUSH

The valve flushes automatically thanks to an infrared sensor.

WATER CONSERVATION

The flush options vary based on the duration of use. The flush volume ranges from 1.5 to 3 liters for a use of less than 10 seconds. If the urinal is used for more than 10 seconds, the flush volume increases to 2-4 liters.

Note: The water pressure must be maintained between 3 and 6 bar.

MAXIMUM HYGIENE

The valve automatically flushes when the user exits the detection area, ensuring efficient cleaning to help prevent bacterial infections. Additionally, if the urinal remains unused for 24 hours, the valve will perform an automatic flush to clear any remaining waste and prevent odors in the drain.

LOW ENERGY USE

Four AA alkaline batteries offer up to 2 years of continuous use, powering up to 150 cycles per day.

LOW/DEAD BATTERIES

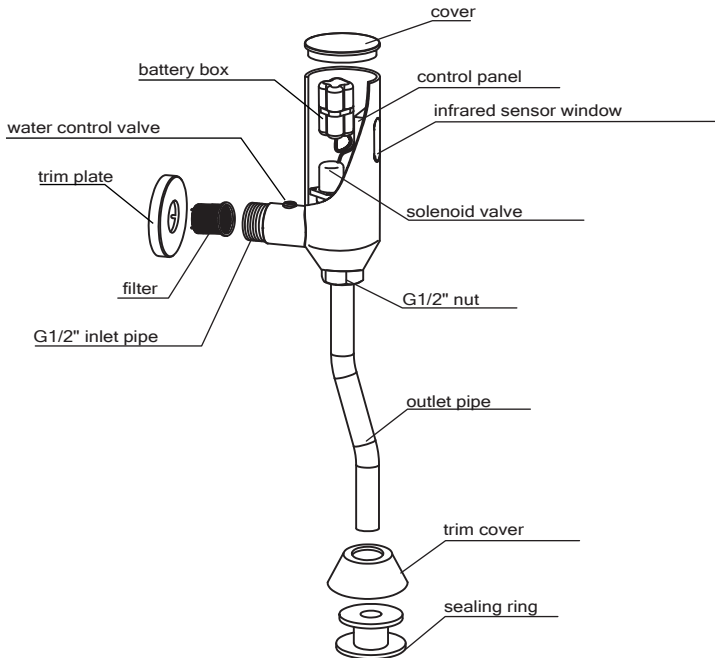
The flush valve automatically stops the water flow if it detects low or dead batteries.

3



SPECIFICATIONS

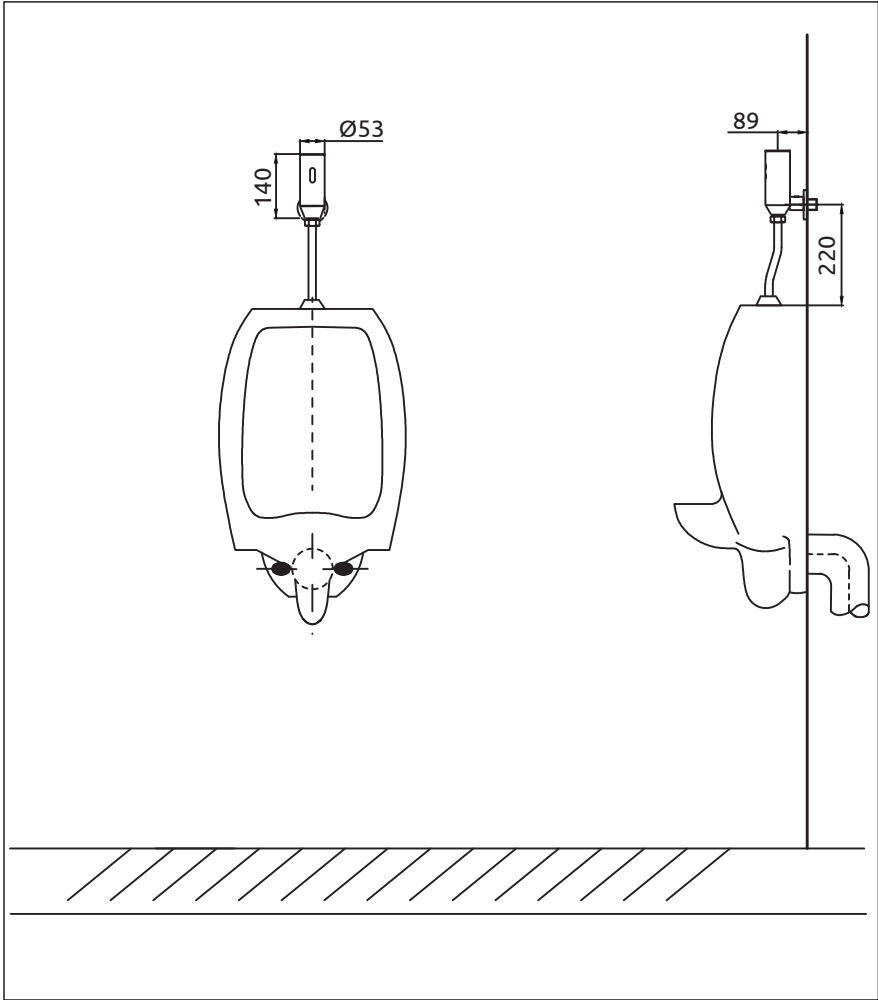
| Specification | | Note |
|-------------------|-------------|------------------------------|
| Voltage | DC - 6V | 4 AA alkaline batteries |
| Standby power use | < 0.5mw | 2 years with 150 daily uses. |
| Detection area | 40 - 70 cm | |
| Water pressure | 0.5 ~ 6 Bar | |
| Water inlet | G1/2" | |



4



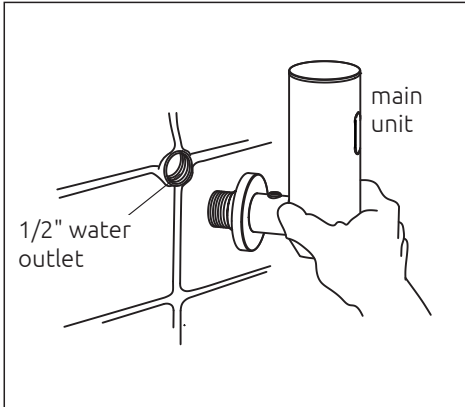
INSTALLATION



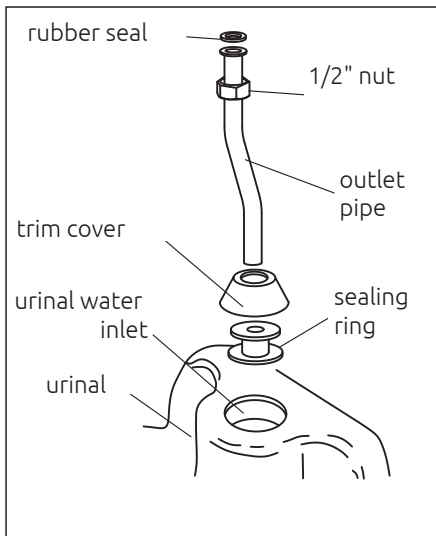
5



INSTALLATION METHOD



1. Attach the unit to a 1/2" water outlet



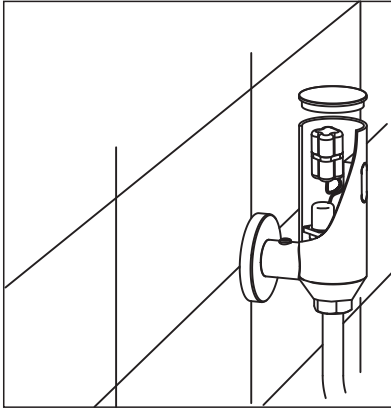
2. Attach the sealing ring and trim cover to the outlet pipe and connect the pipe to the urinal inlet.

3. Tighten the G1/2" nut to the upper side of the outlet pipe.

6

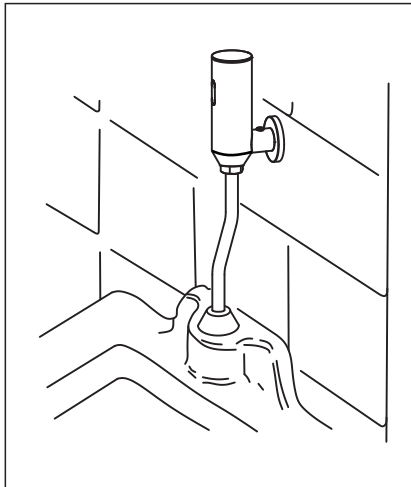


INSTALLATION METHOD



4. Open the cover of the unit, remove the battery box, and insert the batteries.

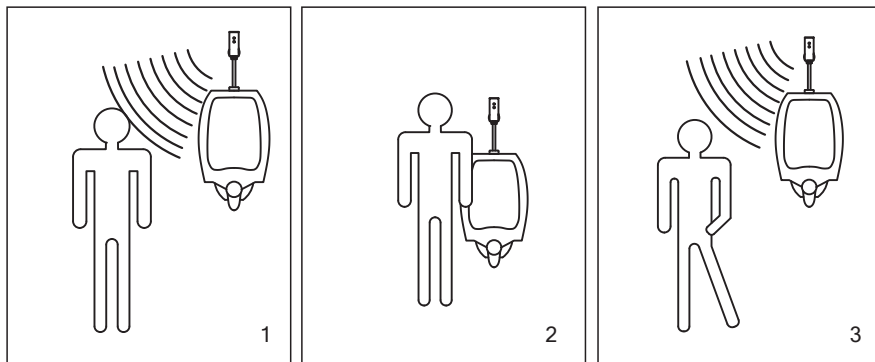
Note: Ensure the batteries are aligned with the correct polarity.



5. Image of final installation



OPERATION



The red light will blink once every 3 seconds when a user is within the detection zone. Initially, the valve flushes for 2 seconds, followed by a 6-second flush after the user exits the area.

FLUSH MODES

1. The detection confirmation time is set to 3 seconds.

2. Regular operation: When a user remains in the detection zone for 3 seconds, the valve initiates a 2-second flush. Upon leaving the zone, the flush duration will vary:

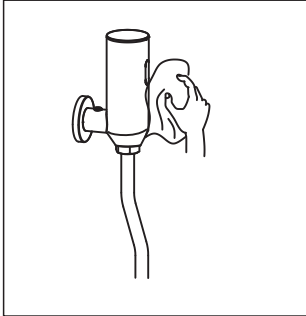
- A:** 4 seconds if there are additional users within the detection zone.
- B:** 6 seconds if no other users are present in the detection zone.

3. If the valve remains unused for more than 1 minute, it will flush twice. However, if it is used again within 1 minute, it will perform only one final flush, with the duration determined by the conditions outlined in points A and B.

8

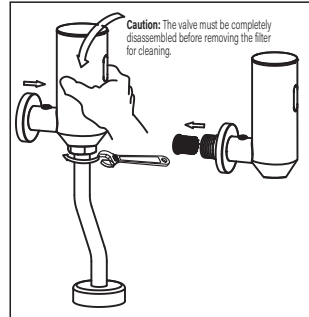


MAINTENANCE



After installing the unit, please clean the display of the sensor with a dry cloth.

Note: Dirt can affect the performance of the sensor.



For proper maintenance of the flush valve, clean the water inlet filter if you notice a decrease in the water flow.

Note: Be sure to close the stopcock before disassembling the filter.

9



TROUBLESHOOTING

| Issue | Possible cause | Solution |
|--------------------------|---|--|
| It does not flush | Dead batteries | Replace them |
| | No water in the mains | Wait for the water supply to be restored |
| | Dirty filter | Clean filter |
| | Dirt on the display of the sensor | Clean display |
| | Out of range water pressure | Correct installation |
| Water flow does not stop | Dead batteries | Replace them |
| | Out of range water pressure | Correct installation |
| Dripping after flush | Low water pressure | Correct installation |
| | Dirty filter | Clean filter |
| Low flow rate | Low flow setting | Adjust stopcock |
| | Dirty filter | Clean filter |
| | Low water pressure | Correct installation |
| Excessive flow rate | High flow setting | Adjust stopcock |
| Short battery life | Batteries are low quality or not alkaline | Use correct batteries |

10



